

COMPETENCY BASED CURRICULUM EXAM

PIONEER MARK
SERIES

GRADE SIX YEAR- 2025

MATHEMATICS

Name _____

School _____

1. Identify the digit that is in the tens of thousands place value in the number 7,693,024

- A. 6
- B. 9
- C. 3
- D. 7

2. In a school there were 843,062 learners. What is the total value of digit 0.

- A. 0
- B. 3,000
- C. Hundreds
- D. Tens

3. Arrange the following group of numbers in ascending order
99,999, 100,000, 99,909, 100,001
100,900

- A. 100,000 100,900, 100,001
100,900 99,999
- B. 99,999 100,900 100,001
99,909 100,000
- C. 100,900 100,001, 100,000
99,909 99,909
- D. 99,909 99,999, 100,000
100,001 100,900

4. Six friends saved sh. 399,690. in one year. Round off the money to the nearest thousands.

- A. 400,000
- B. 300,000

- C. 390,000
- D. 399,000

5. Work out 80^2

- A. 160
- B. 6400
- C. 3200
- D. 640

6. A square tile is 12cm long. What is the area of the tile in square centimeters?

- A. 24cm^2
- B. 100cm^2
- C. 144cm^2
- D. 144cm

7. Rashids square plot of land has an area of 484m^2 . What is the length of each side of the plot?

- A. 22m
- B. 44m
- C. 121m
- D. 13m

8. A cancer awareness campaign was attended by 12,621 people. Round off the number of people to the nearest hundred.

- A. 11,000
- B. 12,000
- C. 12,600
- D. 13,000

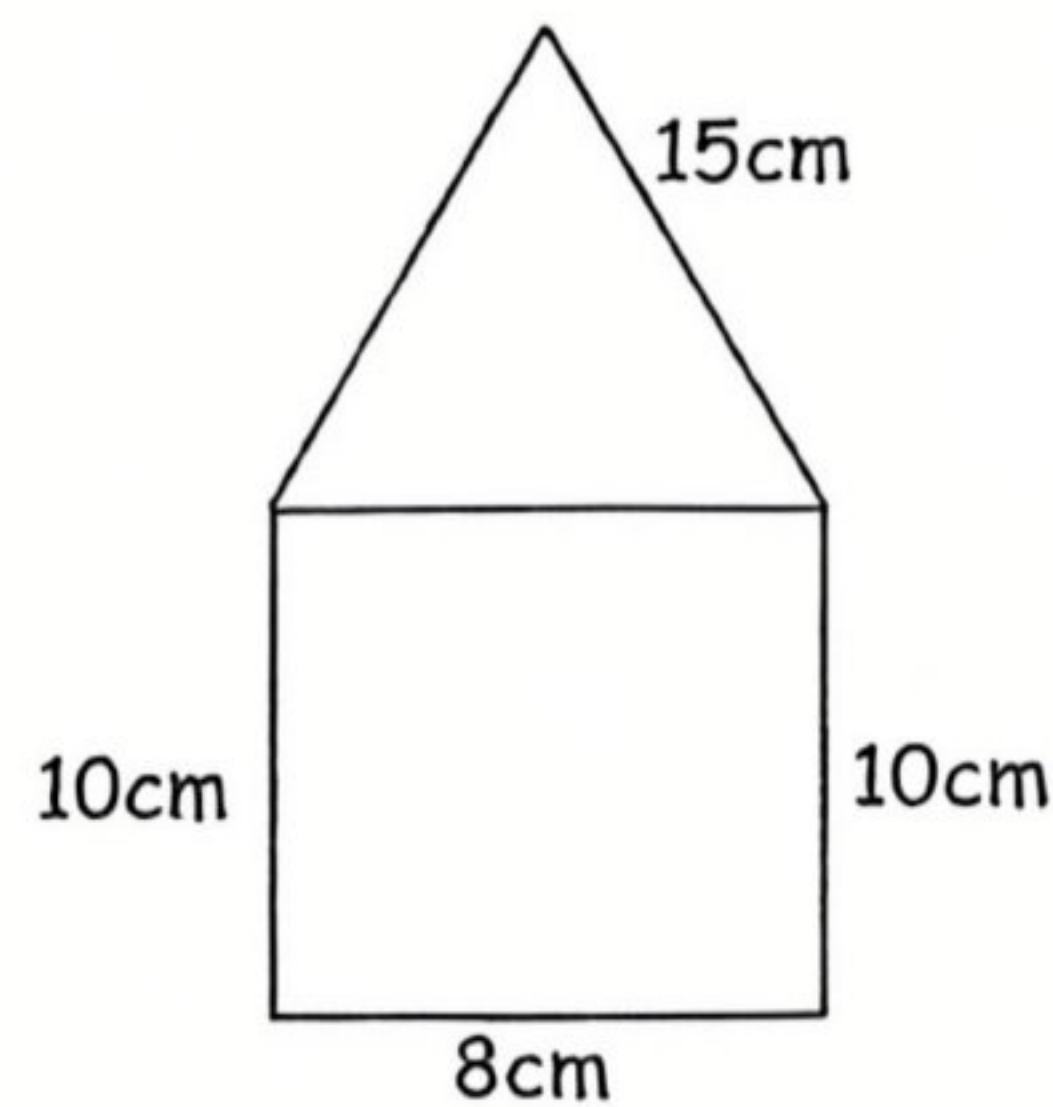
9. Work out $4,012 \times 6$
 A. 24,072
 B. 24,062
 C. 24,081
 D. 24,000
10. Samuel spent sh.2000 per month to buy food. How much does he spend on food in a year?
 A. Sh. 2,500
 B. sh. 2,400
 C. 2,000
 D. sh. 24,000
11. What is the next number in the pattern?
 70, 140, 210, 280, _____
 A. 40
 B. 420
 C. 270
 D. 350
12. A milk processing packed 2,400 packets of milk in 60 boxes equally. How much packet of milk were packed in each box?
 A. 40
 B. 60
 C. 80
 D. 50
13. During a prize giving day, 2,390 loaves of bread were shared equally among 410 learners. How many loaves of bread remained?
 A. 340
 B. 5
 C. 210
 D. 100

14. Work out.

$$910 + 1000 - 400$$

- A. 535
 B. 900
 C. 1,510
 D. 1,000

15. Find the perimeter of the shape below?



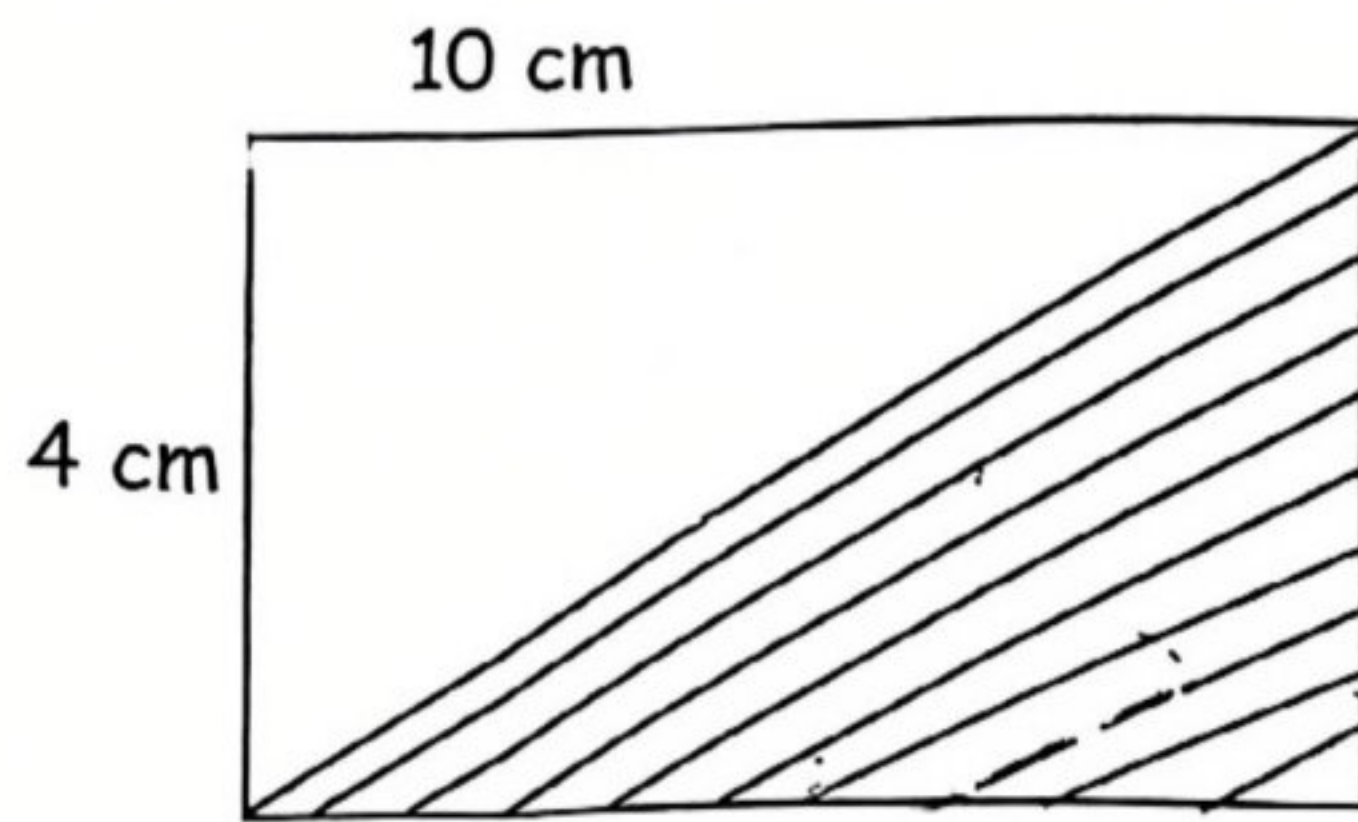
- A. 43cm
 B. 48cm
 C. 50cm
 D. 58cm

16. Work out

$$24 \div 3 + 9 \times 6 - 4$$

- A. 8
 B. 26
 C. 58
 D. 98

17. Find the area of the shaded part



- A. 20cm^2
- B. 40cm^2
- C. 20 cm
- D. 80cm^2

18. Jane made 20 litres of tea using milk and water. She used 15 litres of water and the rest was milk. How much milk was used as a decimal?

- A. 0.25
- B. 0.5
- C. 0.75
- D. 0.84

19. In Weru primary school, 0.74 of learners are boarders. What percentage of the learners are boarders?

- A. 30%
- B. 74%
- C. 26%
- D. 50%

20. Work out

$$16.3066 + 18.44 =$$

- A. 32.8246
- B. 16.4910
- C. 35.7466
- D. 34.7466

21. What is the sum of $\frac{5}{9}$ and $\frac{1}{4}$

A. $\frac{13}{36}$

B. $\frac{20}{36}$

C. $\frac{29}{36}$

D. $\frac{6}{36}$

22. A skipping rope is 12.438m. What is the length of the rope rounded off to 2 decimal places?

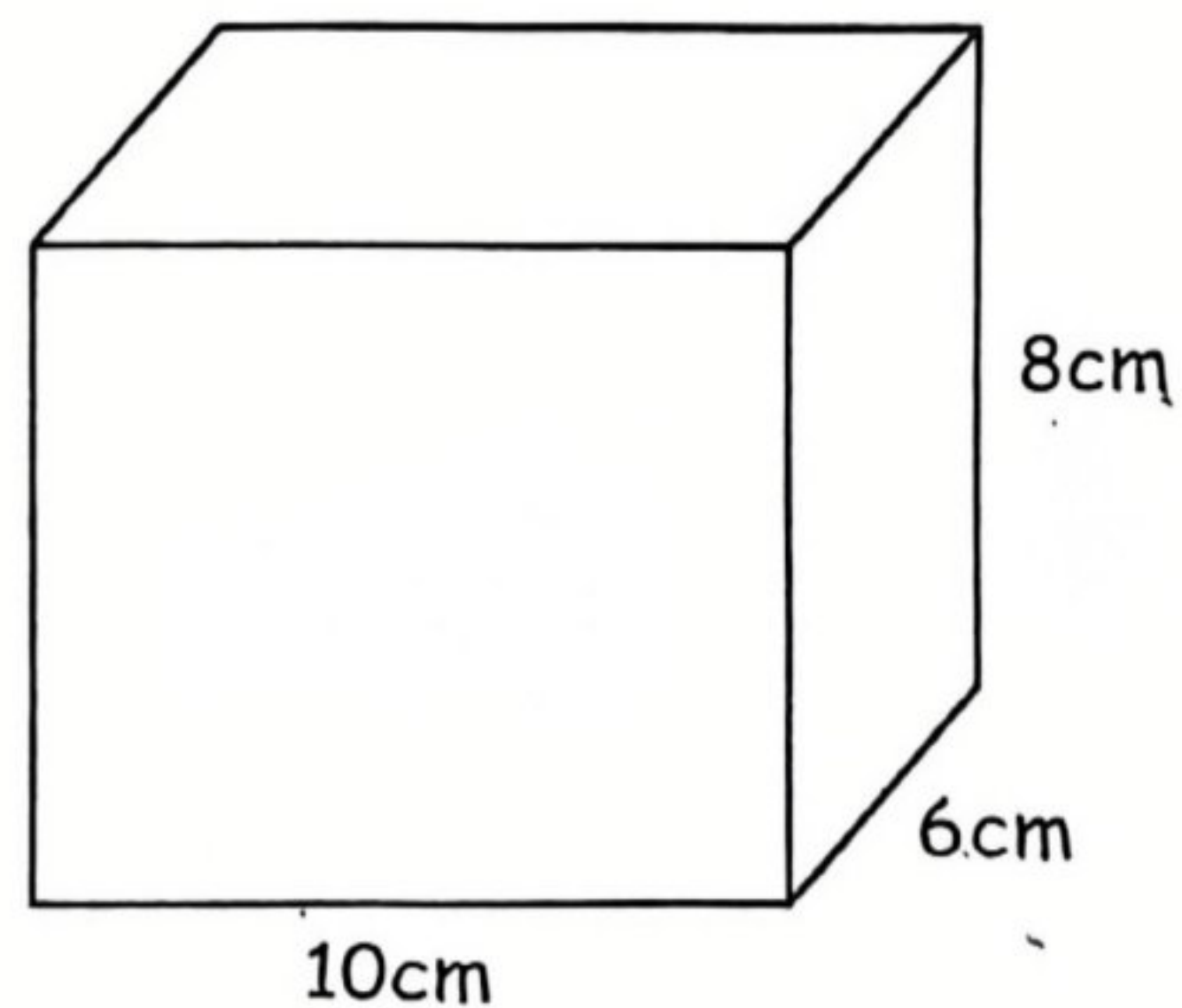
A. 12.44m

B. 12.4m

C. 12.43m

D. 12.48 m

23. Find the volume



- A. 48 cm
- B. 480cm^2
- C. 480cm^3
- D. 24cm^3

24. Subtract 114.3478 from 207.529.
A. 93.1812
B. 89.1111
C. 90.1813
D. 321.8768

25. John's height is 145cm 7mm. What is his height in millimeters?
A. 145m
B. 1457mm
C. 152mm
D. 14507mm

26. The height of water in a dam increased by 5cm after it rained. What is the increase in height of water in millimetres
A. 50mm
B. 500mm
C. 5000mm
D. 50,000mm

27. What is the shortest possible length of a rope from which equal pieces of ropes measuring 15cm, 20cm and 40cm can be cut?
A. 100cm
B. 120cm
C. 60cm
D. 75cm

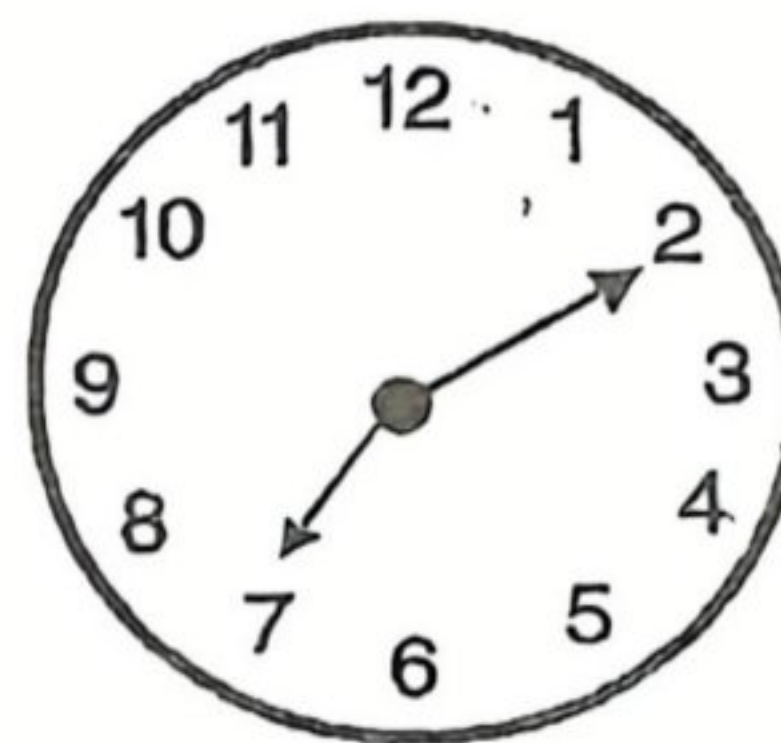
28. How many containers of B will be used to fill container A?



- A. 16
B. 320
C. 160
D. 80

29. A road construction company mixed sand and small stones. The mass of sand was 18 tonnes 481 kilograms. The mass of small stones was 12 tonnes 394 kilograms. What is the total mass of the mixture?
A. 30 tonnes 875 kilograms
B. 30 tonnes 775 kilograms
C. 20 tonnes 875 kilograms
D. 6 tonnes 87 kilograms

30. What time is it?



- A. 2: 35
B. 7: 10
C. 3: 35
D. 7: 15