



443/ 2

Agriculture -

Paper 2

(Theory)

T3- 2024 – Time 2 hours

**POST MOCK,
2024**

Name Adm Number.....

Candidate’s Signature Date

INSTRUCTIONS TO CANDIDATES

- Write your name and index number in the spaces provided above.
- The paper consists of **three** sections A, B and C.
- Answer all questions in section A and B in the spaces provided
- Answer **any two** questions from section C in the spaces provided

FOR EXAMINER’S USE ONLY

Section	Question	Maximum score	Candidate’s score
A	1–14	30	
B	15	20	
	16		
	17		
	18		
C	19-21	40	
	TOTAL	90	



21123456789

1. State four importance of keeping livestock healthy. (2marks)

.....

.....

.....

2. Distinguish between the following practices as used in livestock production.

a)Crutching and ringing in sheep management. (2marks)

.....

.....

b)Steaming up and flushing. (2marks)

.....

.....

3.State three observable features that help to differentiate the Dromedary camel from the Bactrian camel.

(1 ½ marks)

.....

.....

.....

4.Name two functions of the crop in digestive system of chicken. (1mark)

.....

.....

5.a)Give three reasons for candling eggs in poultry production. (1 ½ marks)

.....

.....

.....

b)State three qualities of the shell that should be considered when selecting eggs for incubation.(1 ½ marks)

.....

.....

.....

6.Give four predisposing factors to mastitis in dairy cattle (2mks)

.....

.....

.....

7. Outline four mechanical methods of controlling ticks. (2mks)

.....
.....

8. State four structural features of ideal calf pen. (2marks)

.....
.....

9. Give two problems associated with tractor hire services. (1mark)

.....
.....

10. Give the functions of following farm tools and equipments. (2marks)

i) Sickle

.....
.....

ii) Strip cup

.....
.....

iii) Claw hammer

.....
.....

iv) Mason's trowel

11. State four properties of a good vaccine. (2marks)

.....
.....

12. Give four factors that affect digestibility of feeds in animals. (2marks)

.....
.....

13. Outline four farm structures that are necessary for handling dairy animals. (2marks)

.....
.....

14. Give three ways in which farmers market beef cattle in Kenya. (1 ½ marks)

.....
.....

15. List four farm implements attached to power take off (PTO) (2marks)

.....
.....

SECTION B (20 MARKS)

Answer ALL the questions in the spaces provided.

16 .The diagrams is an illustration of a chick suffering from malnutrition



a) State the causes of the above identified deficiency . (1mark)

.....

.....

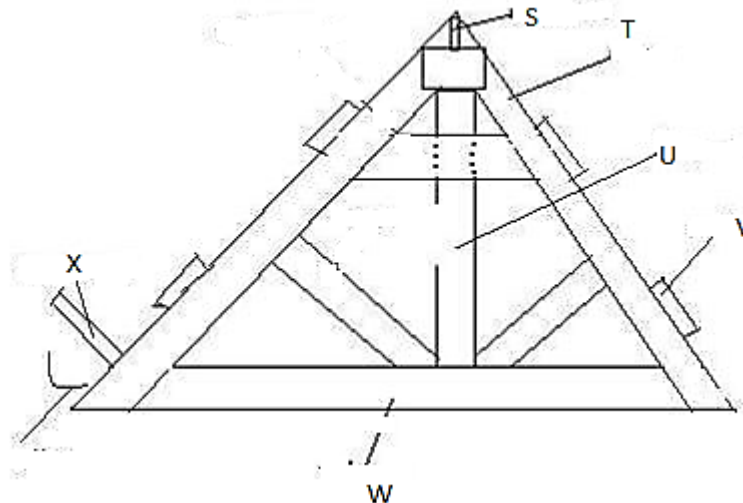
b) A part from the symptom shown above , give four other symptoms shown by the bird (4mks)

.....

.....

.....

17.The diagram is an illustration showing parts of a roof. Study it and answer the questions that follow.



a) Name parts labeled

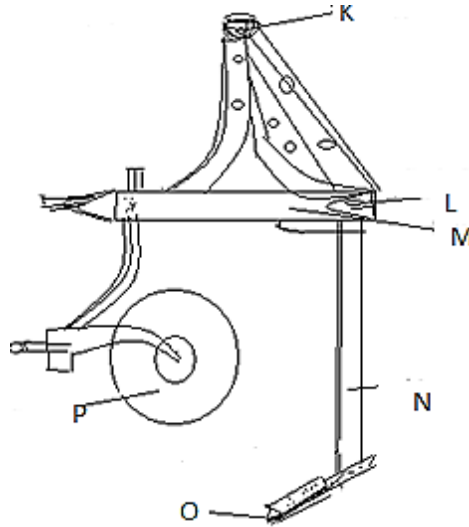
S.....

U.....
V.....
W.....

b) Give the functions of part labeled

X.....

18. Study the diagram below and answer the question that follows



a) Identify the implement shown above (1mark)

.....
.....

b) Give the functions of parts labeled (2marks)

O.....

P.....

c) Name the method of attachment of the implement you have mentioned above. (1mark)

.....

d) State the maintenance practice carried out on part labeled O (1mark)

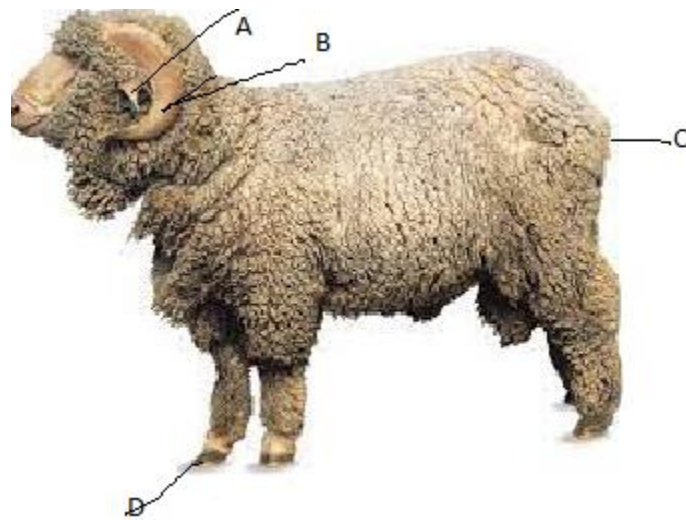
.....

.....

.....

.....

19. Study the diagram below and answer the questions that follow.



a) Identify the sheep breed illustrated (1mark)

.....
.....

b) Identify the practice that can be carried out at point labeled C and D (2marks)

C.....

D.....

c) Name the practice that should be carried at point B at the early stages of development. (1mark)

.....

d) Identify the practice that can be carried out at point labeled C and D (2marks)

C.....

D.....

A series of horizontal dashed lines for writing.

